

# febtech

Innovative Solutions for Aluminium Foundry



### ABOUT US

Whatever you can imagine, FEB TECH has the gear to transform your imagination into reality. Since inception in 2000, the FEB TECH Group has been powered by over 25 senior man-years of intensive High pressure die casting industries automation technology experience. As the leader in high end die casting automation technology we offer all kind of solution exceptional speed, flexibility and quality.

The reliability and performance of FEB TECH Group, the largest manufacturer of Die casting industries automation can be seen and experienced worldwide with innovative technology.

The company maintains its operations via two manufacturing facilities and sales offices spread across over India & overseas which include China, Sweden, Singapore, UAE & Dubai. To date FEB TECH has designed & implemented 50 + products also we have strong team, the Government of India too has recognized the technological innovation strength of FEB TECH R esearch & Developement department.

We believe in continuous innovative development, providing customized manufacturing service for all the Equipment & spares. Adopting ethical business practices, we have garnered a huge list of clients across the nation. We consistently strive to serve clients in the best possible manner maintaining highest standards while manufacturing reliable Industrial Equipment & spares to meet toughest enduser demands for increased uptime, reliability, safety, top performance, and the lowest possible lifetime costs.

With dependable, high quality and robust output, FEB TECH users deliver time and again, our capabilities ensure maximum business and growth for all associated with us.

Certification:

- 1) CE Certificate
- 2) ISO 9001-2005

### OUR MISSION

We have insisted on supplying good-quality products with most competitive prices to our customers quickly and accurately after our establishment. “First-class service, customers’ satisfaction” is our working standard, “Credit Business, Mutual Development” is our business philosophy. We have supplied good-quality products and best services to Indian local market, Poland, Germany, Canada, Brazil, Mexico, Malaysia and Vietnam etc., And we enjoyed good reputation from them.

### OUR VISION

To be the world's most reliable and innovative manufacturer, service and solution provider in Aluminum Die Casting Industries.

## SALIENT FEATURES

- ▶ Control on die coat consumption.
- ▶ One system is capable to supply multiple HPDC machine
- ▶ Adjustable die coat mixing ratio.
- ▶ Tanks and Frame are made of stainless steel to avoid rusting.
- ▶ Additional safety sensor provided to avoid water over flow.
- ▶ Self diagnosing system.
- ▶ Cycle counter show die coat utilization per day & it is resettable.



Specification of Model's	FEBTECH-0010	FEBTECH-0020	FEBTECH-0030
Dycote Supply Range	1-4 PDC Machine	8-10 PDC Machine	10-15 PDC Machine
Operating Pressure	4-6 Kgf/cm <sup>2</sup>	4-6 Kgf/cm <sup>2</sup>	4-6 Kgf/cm <sup>2</sup>
Flow Range	500l/h	2000l/h	4000l/h
Maximum Ambient Temp	60°C	60°C	60°C
Input Water Pressure	2-3 Kgf/cm <sup>2</sup>	2-3 Kgf/cm <sup>2</sup>	2-3 Kgf/cm <sup>2</sup>
Storage Capacity	50 Ltr	100 Ltr	400 Ltr
Supply Pumps	1.1Kw	1.5Kw	2.2Kw
Input Power Source	415V, 3Ph 50Hz	415V, 3Ph 50Hz	415V, 3Ph 50Hz
Machine Size:(LxHxW) mm	375 x 1000 x 1250	900 x 1500 x 2000	1000 x 1500 x 2500
Machine Weight in Kgs	150	250	350



### FEATURES

- ▶ Driven by RV reduction gear with high mechanical strength, stability and long service life.
- ▶ Could stop at any Y axes position for spraying and blowing.
- ▶ Y axes driven by servo motor; could start and stop quickly, stably and precisely.
- ▶ Module sprayer with good atomization effect.
- ▶ Adopt Mitsubishi PLC control for stable performance; could supervise every movement, which is convenient for operation and maintenance.
- ▶ The system is equipped with self diagnosing and failure alarm function for easy removal problems.

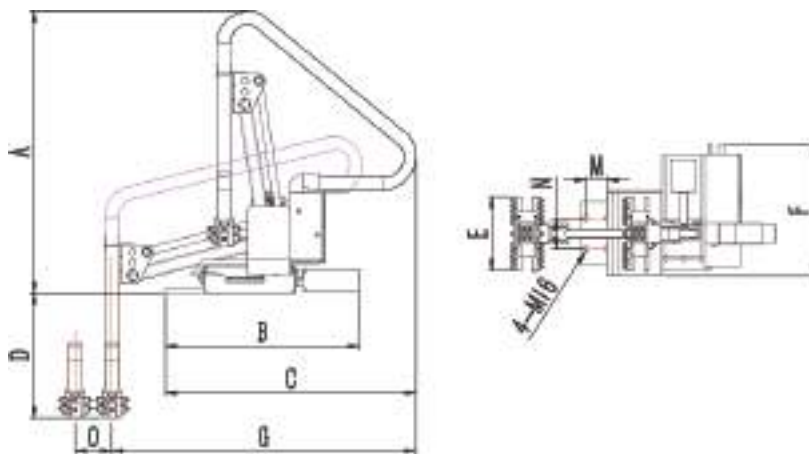
### MAIN CHARACTERISTICS

- ▶ The spraying volume of module spray head can be adjusted separately, 3 roads controll for fixed and movable mld.
- ▶ Fixed and movable mold can blow separately.
- ▶ This machine can stop at any position on X axes and Y axes for spraying and blowing.
- ▶ Y axes driven by servo motor, starts and stop quickly, working stably and precisely.
- ▶ X axes Driven by converter motor, can move the stand to adjust the mould.
- ▶ The control system adopt Misubishi PLC and touch screen, which are retiable and easy to operate.
- ▶ With error display and explanation for easier maintenance.
- ▶ Amass of mould technics parameters can be saved.
- ▶ Can follow customer needs to customize above 100T sprayer.

## TECHNOLOGICAL DATA

Specification Of Model's	FEBTECH-0290	FEBTECH-0300	FEBTECH-0310
Suitable Machine Capacity	160-400T	500-800T	1000-1250T
Front-left fixed mould	5 pcs	6 pcs	8 pcs
Front-mid fixed mould	5 pcs	5 pcs	5 pcs
Front-right fixed mould	5 pcs	6 pcs	8 pcs
Back-left moving mould	5 pcs	6 pcs	8 pcs
Back-mid moving mould	5 pcs	5 pcs	5 pcs
Back-right moving mould	5 pcs	6 pcs	8 pcs
Front and back blow copper tube No.	16 pcs	20 pcs	24 pcs
Sprayer heads covered width	380mm	530mm	730mm
Sprayer head thickness	220mm	220mm	240mm
Air pressure	5-6kgf/cm <sup>2</sup>	5-6kgf/cm <sup>2</sup>	5-6kgf/cm <sup>2</sup>
Air pressure inlet	PT1"	PT1/2"	PT1/2"
Ascending time	0.8s	1s	1.2s
Descending time	0.8s	1s	1.2s
Main power	AC220/DC24V		
Ascending and descending motor power	1kw	1.5kw	2.2kw
Base motor power	180w	180w	180w

## CONTOUR MAP



MODEL	CAPACITY	A	B	C	D	E	F	G	M	N	O
FEBTECH-0290	125-400T	1500	1059	1295	660	410	750	1560	115	165	200
FEBTECH-0300	500-800T	1900	1299	1540	1000	530	850	1990	165	220	350
FEBTECH-0310	1000-1250T	2000	1399	1640	1100	800	850	2100	165	220	450



### FEATURES

- ▶ With five-point-linkage structure, which ensure high stability and increase production output.
- ▶ The rotating part adopt self lubricating bearing to ensure stable performance.
- ▶ Ladle arm forward, backward, pouring, ladling are controlled separately by frequency converter, easy to operate.
- ▶ Pouring capacity controlled by encoder, which is easy and convenient for operation.
- ▶ Adopt Mitsubishi plc control for stable Performance; could supervise every movement, which is convenient for operation and maintenance.
- ▶ The system is equipped with self diagnosing and failure alarm function for easy removal problems.

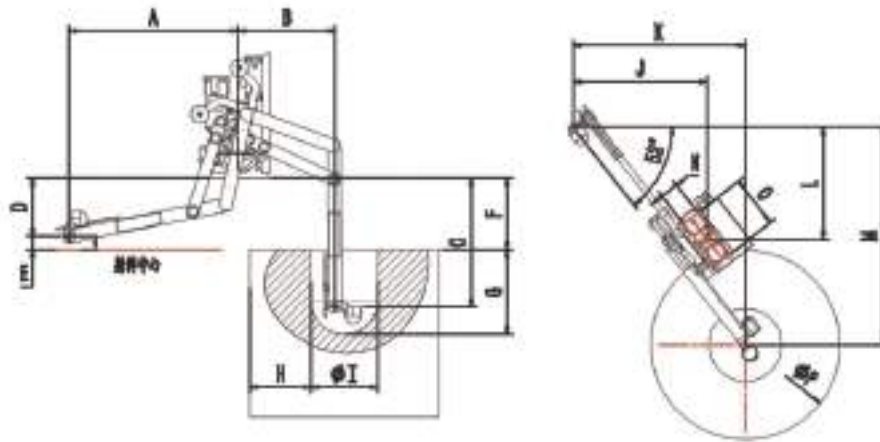
### TECHNICAL PERFORMANCE

- ▶ Five connecting rod structure, enclosure integrated forming double lip wormdrive, using Japan's luster KOYO absolute value encoder to control smooth operation, fast speed, arm stop position accuracy is high, greatly improve the speed to the ladle.
- ▶ Give ladle machine adopts high temperature resistant material, with beyond detector function, can be a very good prevention arm deep pot phenomenon.
- ▶ To ladle machine arm forward / backward and note / to ladle, by ladle independent inverter control.
- ▶ The connecting rod type arms, even the high- speed movement can smooth braking ladle aluminium is not easy to overflow.
- ▶ PLC control, set by the touch screen functions, easy to operate and have code display, easy to maintenance.

## TECHNICAL SPECIFICATION

Specification of Model's	FEBTECH-0090	FEBTECH-0100	FEBTECH-0110
Suitable Machine Capacity	180T-400T	500T-800T	1000T-1250T
Pouring Capacity	0.5 to 8 Kgs	2.5 to 12 Kgs	5-15 Kgs
Cycle Time	15 Sec	18 Sec	18 Sec
Diameter of Crucible	Min 500mm	Min 600mm	Min 850mm
Filling Depth	350mm	450mm	550 mm
Arm Motor Capacity	0.75Kw	1.1Kw	1.5Kw
Ladle Motor Capacity	0.2Kw	0.37Kw	0.75Kw
Main controller	415V 50Hz	415V 50Hz	415V 50Hz
Control Power	24V DC	24V DC	24V DC
Power capacity	1KVA	1.5KVA	2.2KVA

## CONTOUR MAP



MODEL	CAPACITY	A	B	C	D	E	F	G	H	$\phi$ Imin	J	K	L	M	N	O	P
FEBTECH-0090	125-400T	1100	665	825	380	80	490	600	400	500	900	1140	745	1460	125	360	1300
FEBTECH-0100	500-800T	1160	665	885	400	80	490	600	400	500	920	1180	765	1490	125	360	1300
FEBTECH-0110	1000-1250T	1250	735	816	387	95	482	800	325	850	1235	1350	656	1687	150	600	1500



### FEATURES

- ▶ Adopt good quality components with low failure rate and long service life.
- ▶ Multi linkage arm has strong loading capacity; working fast and stable without impact.
- ▶ Driven by motor, controlled by frequency converter & PLC; arm has waiting function, which could improve working efficiency.
- ▶ Adopt Mitsubishi PLC control for stable performance; could supervise every movement, which is convenient for operation and maintenance.
- ▶ The system is equipped with self diagnosing and failure alarm function for easy removal problems.

### TECHNICAL PERFORMANCE

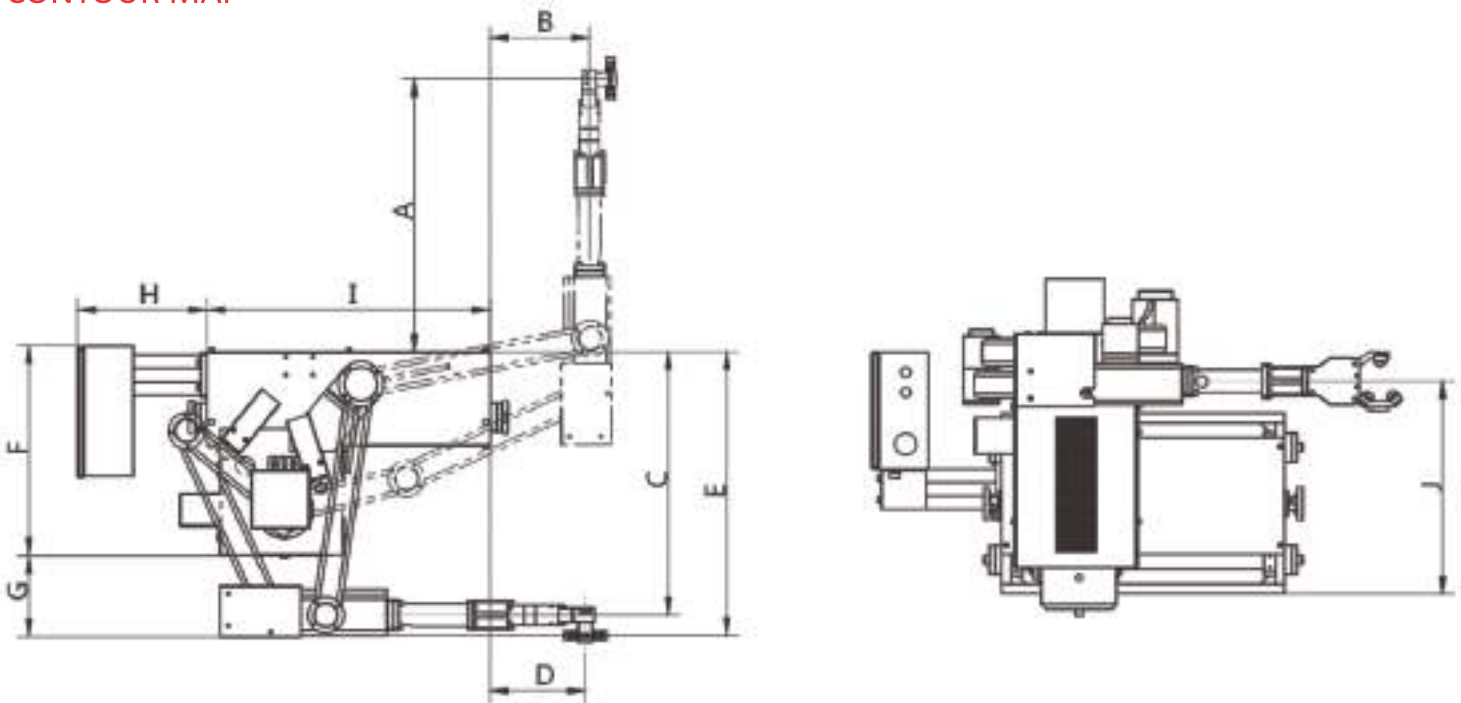
- ▶ Main parts and electrical components are imported with rate and long service life.
- ▶ The multi-bar linkage arm is adopted for strong bearing capacity the imported reducing motor is also used, which is controlled by the imported PLC and frequency converter for stable and free-impact operation at high speed.
- ▶ Due to the use of reducing motor drive arm PLC and frequency converter, the arm can stop at any point within its travel range (the arm moves forward the edge of mould in advance for waiting before the mould opens), to effectively shorten the extracting period, thus improving the production efficiency.
- ▶ The man-machine interface touch screen in Chinese language is adopted to conveniently set various parameters and conduct real-time monitoring over the machine status. Also, fault self diagnosis display function is provided to make both operation and maintenance very convenient.
- ▶ It can be either automatically operated independently or connected to die casting machine, feeding machine and extractor to become a full automatic.



## TECHNICAL SPECIFICATION

Specification of Model's	FEBTECH-0320	FEBTECH-0330
Suitable Machine Capacity	160-400T	500-800T
Fixed Mould Width(max)	900mm	1100mm
Biscuit diameter	Φ40-90mm	Φ60-120mm
Pulling force	68kgf	98kgf
Adjustable distance of pulling direction	300mm	400mm
Arm force	680kgf	1000kgf
Air pressure	4-6.5kgf/cm <sup>2</sup>	4-6.5kgf/cm <sup>2</sup>
Air inlet	PT3/8"	PT1/2"
Casting weight	Max 4Kg	Max 8Kg
Mounting method	Ground mounting	Ground mounting
Machine Weight	240Kg	290Kg

## CONTOUR MAP



MODEL	CAPACITY	A	B	C	D	E	F	G	H	I	J
FEBTECH-0320	125-400T	607	221	586	212	630	467	180	189	630	473
FEBTECH-0330	500-800T	995	338	730	384	808	620	171	417	824	592



### FEATURES

- ▶ Its height can be self-adjusted.
- ▶ The use of frequency conversion control ensures the more stable traveling.
- ▶ Speed can be adjusted based on the quantity of products.
- ▶ Stainless steel chain plate & carbon steel chain plate can be optional, with dimension & specification customized.
- ▶ The timer controls equipped, which can be intermittently or contiguously driven.
- ▶ Cooling fan can be installed according to the size of the product and customer requirements to accelerate the cooling of the product.
- ▶ The extractor can be matched to achieve linkage.

### TECHNICAL SPECIFICATION

Specification Of Model's	FEBTECH-0350	FEBTECH-0360
Conveyor Width	500 mm	500 mm
Conveyor Length	2000 mm	3000 mm
Speed	6 Meter/ Minute	6 Meter/ Minute
Motor Power	415V , 0.2Kw	415V , 0.2Kw
No of Fan	2	2
Air Volume	2280m <sup>3</sup> /h	2280m <sup>3</sup> /h
Conveyor Size (L x H x W)	2000 x 1250 x 650	3000 x 1250 x 650
Conveyor Weight	200 Kgs	250 Kgs



## FEATURES

- ▶ Safety light curtain
- ▶ Side safety guard
- ▶ Servo hydraulic pump
- ▶ Rigid machine construction
- ▶ PLC operating control panel
- ▶ Robot interfacing facility
- ▶ Power saving up to 50%
- ▶ Adjustable working speed
- ▶ No noise
- ▶ Longer service life 3-5 year than std machine

## TECHNICAL SPECIFICATION

Specification Of Model's	Unit	Models					
		FEBTECH-0380	FEBTECH-0390	FEBTECH-0400	FEBTECH-0410	FEBTECH-0420	
		10 TON	15 TON	15 TON	15 TON	30 TON	
Normal Capacity	KN	100	150	200	250	300	
Max. Working Pressure	Mpa	13	19	21	20	19	
Main Cylinder Stroke	KN	100	150	200	250	300	
Max. Stroke of Ram	mm	300	300	300	300	350	
Max. Open Height	mm	400	450	450	500	500	
Middle Blanking Aperture Size	mm	150 x 100	150 x 100	150 x 100	200 x 150	200 x 150	
Speed of Ram	Down No Load	mm/s	260	260	230	220	220
	Pressing	mm/s	40	38	35	30	20
	Return	mm/s	260	260	225	220	200
Effective Area of Working Table	Right Left	mm	450	500	500	550	550
	Front Back	mm	450	500	500	550	550
Overall Dimension	Width	mm	900	900	900	980	980
	Length	mm	850	850	850	900	900
	Height	mm	2105	2155	2155	2220	2270
Motor Power	Kw	3.75	3.75	3.75	3.75	3.75	
Total Weight (Approx)	Kg	900	950	1020	1080	1120	
Oil Require	Ltr	150	150	150	170	170	



### FEATURES

- ▶ Auto Cover Flux (granules) Feeder
- ▶ Baffle Plate Auto Up-down Movement
- ▶ Mobile Cum Piller Unit
- ▶ Operation Cycle Data Print And Recording
- ▶ Rotor Shaft Coating Reminder
- ▶ Cover Flux And Nitrogen Consumption Data



### WORK HEAD

- ▶ High Purity Graphite
- ▶ High Thermal Conductivity
- ▶ Auto Fluxing System
- ▶ Auto Baffle Up-Down
- ▶ Multi speed's for dross removing



### RPT UNIT

- ▶ Inbuilt RPT Unit
- ▶ Reduce Testing Time
- ▶ 0 to 700mm Hg



### CONTROL PANEL

- ▶ PLC Control Panel
- ▶ Electrical Siemens
- ▶ HMI 7.5" Touch Screen
- ▶ User Friendly



Specification of Model's	FEBTECH-0060	FEBTECH-0070	FEBTECH-0040	FEBTECH-0050
Types	Crane	Crane	Mobile	Mobile
Operating cycle	Manual	Semi-Auto	Semi-Auto	Semi-Auto
Rotor shaft model	100-635	100-635	175-810	175-810
Suitable Batch Capacity	200-300Kgs	200-300Kgs	200-500Kgs	200-500Kgs
Auto fluxing	NA	Available	Available	Available
Auto Baffle attachment	NA	Available	Available	Available
Spindle speed	3 Speed	3 Speed	4 Speed	4 Speed
Spindle variable speed	Available	Available	Available	Available
RPM Display	NA	NA	Available	Available
Cycle counter display	NA	NA	Available	Available
Digital display N2 flow & pressure	NA	NA	Available	Available
Arm auto rotation	NA	NA	Manual	Available
Inbuilt vacuum tester (RPT)	NA	NA	Available	Available
Digital temperature display	NA	NA	Optional	Available
Limit switch interlock	NA	NA	Available	Available
Gas pressure low/high interlock	Available	Available	Available	Available
Gas flow low/high interlock	Available	Available	Available	Available
Rotor shaft chock up interlock	Available	Available	Available	Available
Cover flux level alarm	NA	Available	Available	Available
Input Power	415V 3Ph	415V 3Ph	415V 3Ph	415V 3Ph
Machine Size (W x L x H) feet	4 x 6 x 5	4 x 6 x 5	5 x 9 x 10	5 x 9 x 10
Machine Weight	250 Kgs	300 Kgs	1 Ton	1.1 Ton



Vacuum Porosity Tester is a desktop quality product system for checking porous level in molten aluminum under vacuum condition. Design ideally for fast, repeatable and reliable, this can be placed next by furnaces for accurate on site monitoring of quality standard.

This unit performs qualitative analysis of gas content diluted in molten aluminum and give primarily condition of potential defects, such as: porosity, blow holes, which are major problems in producing aluminum casting products. Once it is noticeable, the further treatment can proceed to ensure molten free of gas prior to casting.

Designed to run testing process automatically as easy as pressing start button, achieve target vacuum level , hold vacuum at certain of time, the end the process by releasing fresh air into testing chamber, ready for next test.

### TECHNICAL SPECIFICATION

Specification of Model	FEBTECH-0270
Vacuum range	0 – 700 mmHg
Cycle time	0 – 2 minute
Controller	PLC
Input voltage	220V
Machine size (W x H x L)	475 x 650 x 320 mm
Machine weight	65 Kgs

## FEATURES

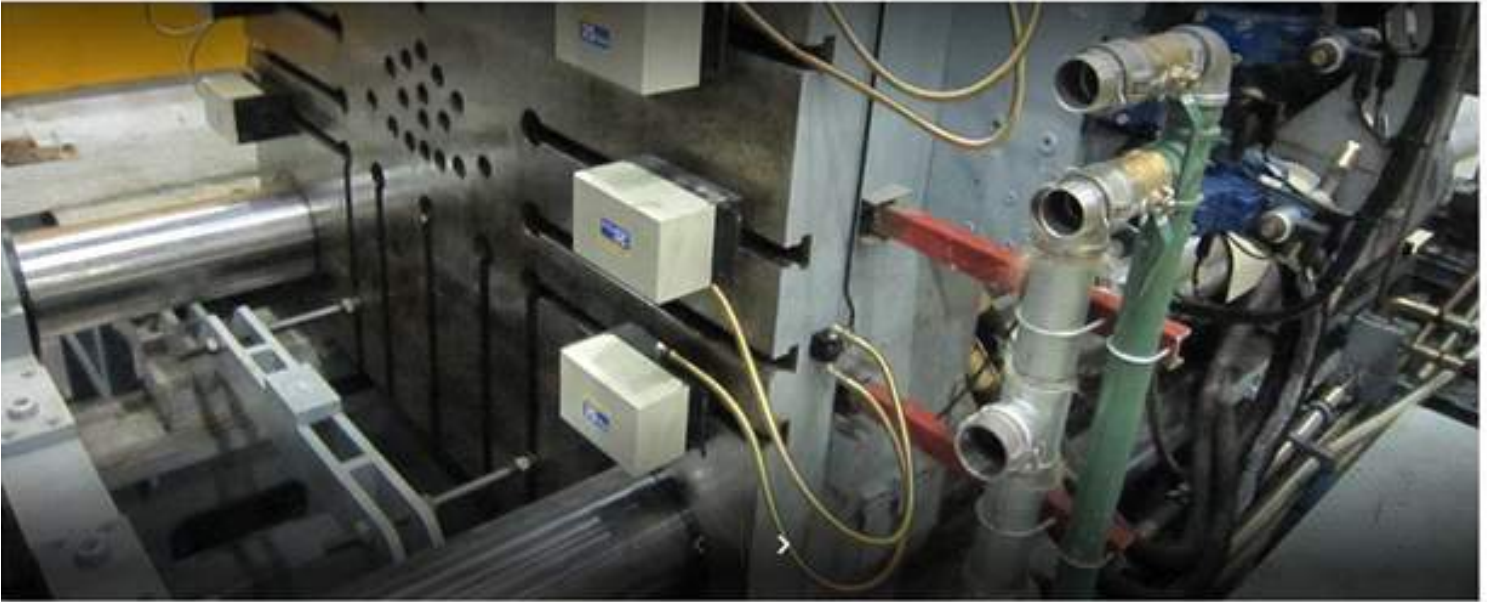
- ▶ Fastest density index calculation
- ▶ Free density index software
- ▶ Interface with PC/Laptop
- ▶ Old density data storage & print facility



ABC INDUSTRIES						
PLOT -AA ABC INDUSTRIES AREA						
Sample No: 22						
Date & Time: 2019-12-30 04:20:03						
Atm. Air Weight	Atm. Liquid Weight	Atm. Density	Vac. Air Weight	Vac. Liquid Weight	Vac. Density	Density Index
104.05	64.35	2.62	74.73	46.79	2.67	1.91

Specification Of Model's	FEBTECH-0260
Response time	3 – 5 Seconds
Readability	0.0001g
Capacity	230g
Communication Port	RS-232/ USB
Maximum ambient temperature	10-45°C
Input power	220V,50Hz, 10Watt
Machine size (W x H x L) mm	250 x 300 x 350
Machine weight Kgs	14

### Q.M.C.S. (AUTO DIE CLAMPING UNIT)



#### BENEFITS FROM USING QUICK MOLD CHANGE SYSTEMS

- ▶ Improve production efficiency
- ▶ Reduced product cost
- ▶ Reduce inventory levels and enable prompt delivery
- ▶ Safe working condition can eliminate danger in die/mould setup
- ▶ Interlock system can eliminate miss operation and prevent injuries



POWER UNIT



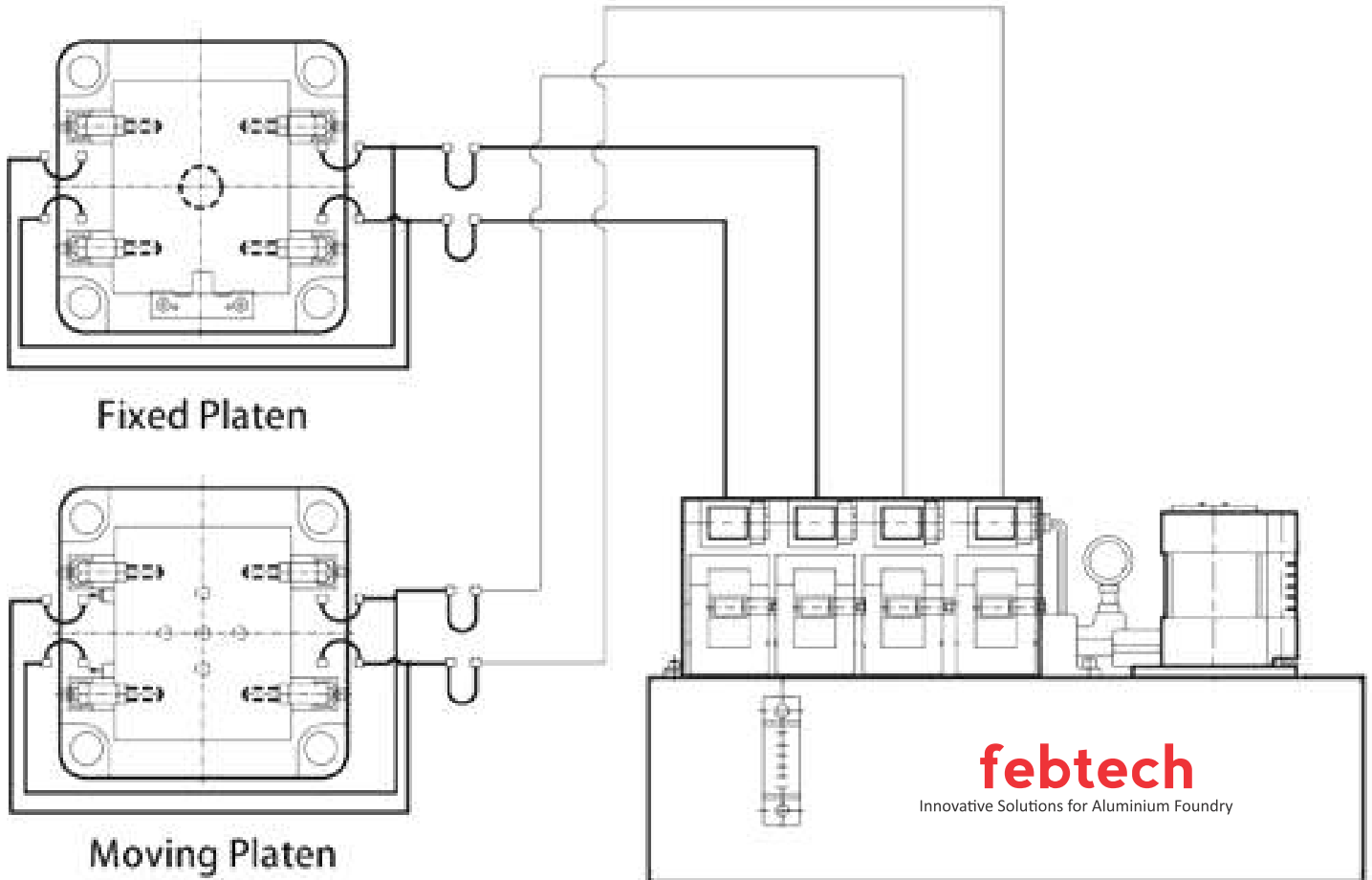
OPERATOR CONTROL



CLAMP

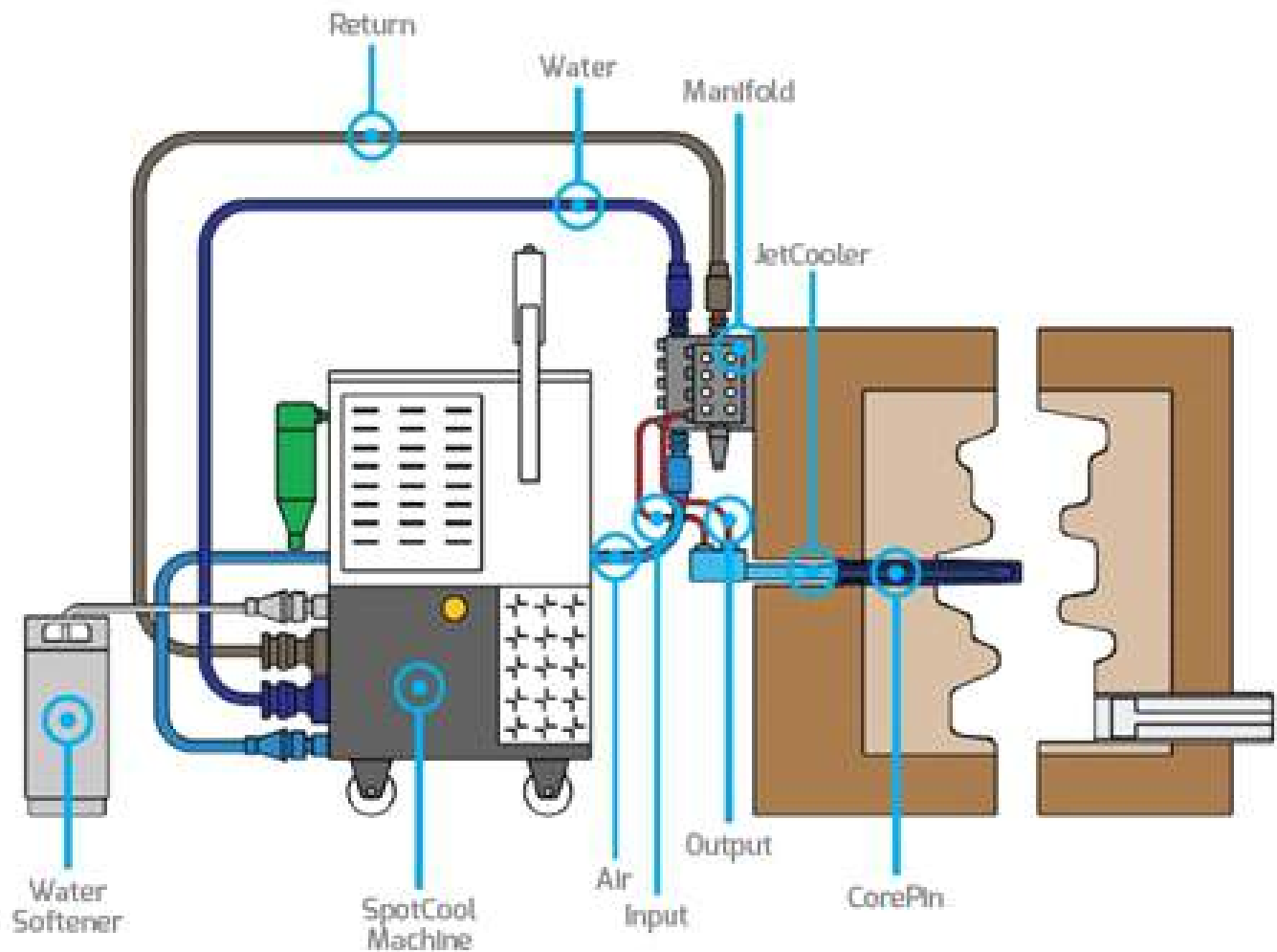


**WORK CIRCUIT DIARGAM:**



**TECHNICAL SPECIFICATION**

Specification Of Model's	MACHINE TONNAGE	CLAMP	CLAMP MODEL	CLAMPING PRESSURE
FEBTECH-0180	150T	8	TY-2	16Ton
FEBTECH-0190	250T	8	TY-4	32 Ton
FEBTECH-0200	350T	8	TY-6	48 Ton
FEBTECH-0210	550T	8	TY-10	80 Ton
FEBTECH-0220	850T	8	TY-16	128 Ton
FEBTECH-0230	1000T	12	TY-16	192 Ton
FEBTECH-0240	1300T	8	TY-25	200 Ton
FEBTECH-0250	1600T	12	TY-25	300 Ton



A hydraulic unit ensures the circulation of pressurized cooling water (from 3 to 20 bars) for a given period of time in the circuits of small diameter injectors ( $\varnothing$  from 1,2 to 2,8 mm) inserted in the specific core pins. At the end of the cooling period, a pneumatic distributor injects air in the injector's circuits to purges it. In this way, the cycle can be carried out safely without the presence of water inside the circuits. The cooling cycle is synchronized with die casting machine.

### ADVANTAGES

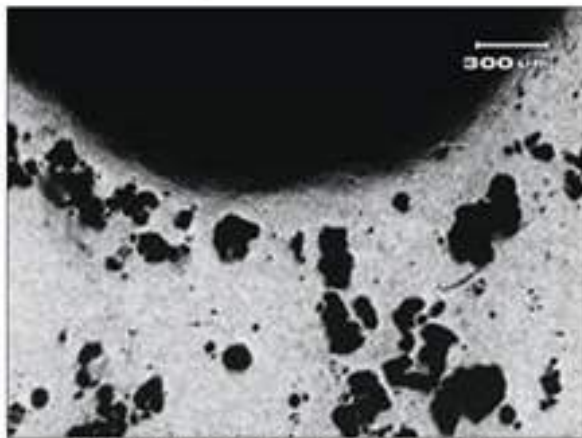
- ▶ Reduction of the need of mould maintenance
- ▶ Reduction of machine downtimes
- ▶ Increase of the life of the mould components (for instance the core pins)
- ▶ Improvement of the surface and dimensional quality of the manufactured part
- ▶ Reduction in the use of release agents
- ▶ Distortion control



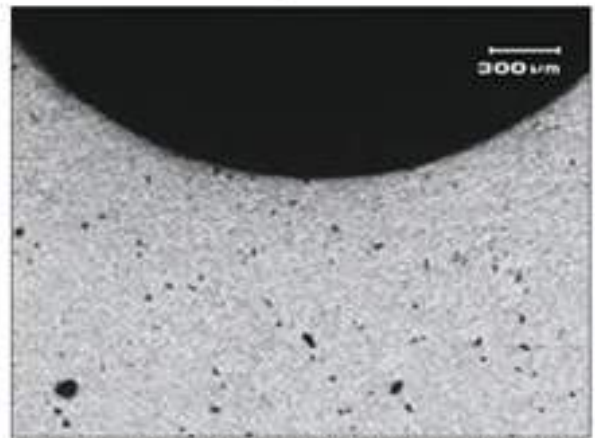
Casting without use of Jet Cool System  
(Porosity occurs near the threads)



Casting when using Jet Cool System  
(Porosity decreases)



Chill zone when Jet Cool System is not used



Chill zone when Jet Cool System is used for 10 seconds

## TECHNICAL SPECIFICATION

Specification Of Model's	FEBTECH-0470	FEBTECH-0480	FEBTECH-0550
Cooling port	20	40	40
Water flow	24L/Min	48L/Min	72L/Min
Air Consumption	400NL/Min	400NL/Min	400NL/Min
Water outline port	1/2 Inch	1/2 Inch	1/2 Inch
Water inline port	1/2 Inch	1/2 Inch	1/2 Inch
Air Outlet port	1/2 Inch	1/2 Inch	1/2 Inch
Cooling system	Open/Close loop	Open/Close loop	Open/Close loop
Input water flow rate	2-4 Kgf2	2-4 Kgf2	2-4 Kgf2
Pump	2.2Kw	3.1Kw	4.1Kw
Input power	415V 50Hz	415V 50Hz	415V 50Hz
Water filter	40 micron	40 micron	40 micron
Machine size (L x W x H)	1100 x 1000 x 1600	1300 x 1000 x 1800	1500 x 1000 x 1800
Machine weight kgs	300	375	400



### ADVANTAGES

- ▶ Increase & decrease the mould temperature when require.
- ▶ Maintain the mould temperature between define value.
- ▶ Increase mould tool life.
- ▶ Corrosion resistance

### TECHNICAL SPECIFICATION

Specification Of Model's	FEBTECH-0530	FEBTECH-0540	FEBTECH-0550	FEBTECH-0560
Temp Range	300°C	300°C	300°C	300°C
Control Accuracy	+/- 1°C	+/- 1°C	+/- 1°C	+/- 1°C
Input Power	415V 50Hz	415V 50Hz	415V 50Hz	415V 50Hz
Media	Oil	Oil	Oil	Oil
Heating Capacity	6/9Kw	9/12/18Kw	12/18/24Kw	36/45Kw
Pump Power	0.37Kw	0.75Kw	0.75Kw	3Kw
Pump Pressure	2Kg/Cm <sup>2</sup>	2Kg/Cm <sup>2</sup>	2.2Kg/Cm <sup>2</sup>	3Kg/Cm <sup>2</sup>
Power Consumption	6.5/9.5Kw	18.75Kw	20/25Kw	39/48Kw
Water Cooling Port	1/2	1/2	1/2	1/2
Oil Circulation Port	1/2	3/4	3/4	1 1/2
Machine Size (L x W x H)	750 x 325 x 680	1100 x 500 x 900	1100 x 500 x 900	1400 x 550 x 1200
Machine Weight Kgs	80	110	135	180



Flux injector is designed to degas and clean molten aluminum using mixture flux-gas. The flux that carried by argon gas is injected into molten below the surface through lance pipe and disperse as tiny particles which has big surface area to volume ratio.

## ADVANTAGES

- ▶ Mobile Devices
- ▶ Structure in stainless steel anti-corrosion
- ▶ Removal of hydrogen, alkali and inclusions
- ▶ Easy to use: large loading door tank flux container
- ▶ Friendly and intuitive touch screen use
- ▶ Injection fluxes true an inert carrier gas

## TECHNICAL SPECIFICATION

Specification Of Model's	FEBTECH-0370
Capacity	50 Kgs
Flux addition speed	0 – 2500 gm
Nitrogen flow	20 – 40 L/Min
Motor power	0.12Kw
Outlet port	1/2 Inch BSP
Require power	220V
Control Power	24VDC
Machine size (W x L x H)	530 x 1200 x 1170 mm
Machine weight	100 Kgs



### ADVANTAGES

- ▶ Fully automatic working
- ▶ Plunger lubricant saving
- ▶ Maintenance free

Plunger lubricants are applied on the plunger tip or into the sleeve, before molten metal is introduced. As the shot fills the sleeve and enters the cavity, it is possible to entrain some of the lubricant into the molten metal. The very high velocities in the gate promote turbulence and facilitate intimate mixing of metal droplets and vaporized plunger lubricant. This can result in porosity or form a stain on the surface of the casting. Both these are to be avoided.

### TECHNICAL SPECIFICATION

Specification of Model	FEBTECH-0280
Oil dispensing range	0 – 25 ml/cc
Input air pressure require	2-4 Kgf/cm <sup>2</sup>
Input power	24VDC/110VAC/220VAC
Lubrication type	Synthetic oil
Oil viscosity	Less than 2000CPS (Centipoises)
Machine size	490 x 980 X 400
Machine weight	20kg



- ▶ The operation is simple, easy to feed.
- ▶ PLD control, low failure rate.
- ▶ The size of the feed rate can be easily controlled.
- ▶ No matter the size of the particles, can be used smoothly.
- ▶ Alternatively single and multiple die casting cycle, reduce the amount of particles and cost saving.
- ▶ Quantitative slider with wear-resistant steel, feed accurate, durable, low failure rate.

Specification Of Model's	FEBTECH-0080
Dispensing Range	1 – 20 gm adjustable
Granular Storage	5 Kgs
Air Input Port	1/4 " Bsp
Input Power	215V AC 1Ph
Conveyor Size (L x H x W)	565 x 1020 x 520
Conveyor Weight	30 Kgs



## Product Technical Data Sheet : E

Shot beads is dry-formed plunger lubricant granule / beads, it is designed as a high performance lubricant compared to traditional lubricant oil for the sleeve and plunger tip of aluminum die casting and magnesium die casting.

### Conditions for storage and transportation

Maintain 0-40°C during storage and transportation to avoid bag damage no use hook.

### Packaging

Packaging Detail: packed in plastic bag of 25KG.

### ADVANTAGES

- ▶ Stainless steel parts they give long life
- ▶ Flow control adjustable
- ▶ Light weight to easy handling weight 0.500 Gm
- ▶ Spray gun aluminum body with heat treatment
- ▶ Easy to use graphite base & synthetic die coat spraying

### TECHNICAL DETAILS

- ▶ Working air pressure: 4 to 5 kg/cm<sup>2</sup>
- ▶ Liquid pressure: gravity feed from tank 1 kg/cm<sup>2</sup>
- ▶ Inlet connection: ¼" bsp hose fitting
- ▶ Synthetic die coat spraying



Sr.No	Model's	Pipe Length	Application	Weight	Box Qty
1	FT350B	350 mm	Die casting	500 Gm	1
2	FT350TB	350 mm	Forging	500 Gm	1
3	FT450B	450 mm	Die casting	550 Gm	1
4	FT450TB	450 mm	Forging	550 Gm	1
5	FT600B	600 mm	Die casting	625 Gm	1
6	FT600T	600 mm	Forging	625 Gm	1
7	BFT800B	800 mm	Die casting	800 Gm	1
8	FT800TB	800 mm	Forging	800 Gm	1







CRANE OPERATED



FORKLIFT OPERATED

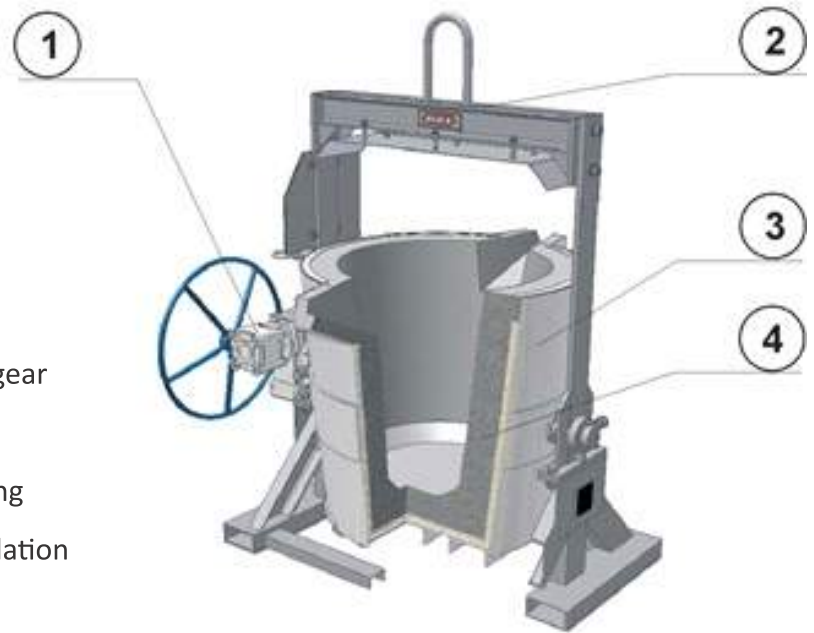


FORKLIFT CUM CRANE OPERATED

## FEATURES

- ▶ Minimize the temperature loss
- ▶ Rigid structure design for longer life
- ▶ Easy to operating & balancing
- ▶ High quality insulation

- 1) Mechanical gear
- 2) Lifting sling
- 3) Ladle's housing
- 4) Thermal insulation



## TECHNICAL SPECIFICATION

Specification Of Model's	FEBTECH-0430	FEBTECH-0440	FEBTECH-0450	FEBTECH-0460
Insulation Type	Crucible/Castable	Crucible/Castable	Crucible/Castable	Crucible/Castable
Metal capacity	250 Kgs	300 Kgs	400 Kgs	500 Kgs
Cell thickness	6 mm	6 mm	8 mm	8 mm
Height	800	800	850	900
Diameter	650	700	800	850
Width	1270	1320	1500	1550
Empty ladle weight	225 Kgs	275 Kgs	350 Kgs	420 Kgs

### GRINDING PATTERN



### FEATURES & ADVANTAGES

- ▶ Universal grinding
- ▶ Digital readout
- ▶ High precision quality
- ▶ Work time save
- ▶ Easy to work setting

### TECHNICAL SPECIFICATION

Specification of Model	FEBTECH-0340
Grinding Diameter	Φ 1.0-Φ25mm
Work piece Diameter	Φ 3.0-Φ25mm
Work Piece Length	25-500
Grinding Wheel Size	100 x 25.4 x 20
Front to Back Travel	40mm
Work head speed	50mm
Work head rotating angle	180rpm
Spindle speed	±5°
Spindle motor	7500rpm
Dimensions (L x W x H)	1HP, 3Ph, 415V 50Hz
Weight	900x700x1400mm
Machine weight	160kgs

## ADVANTAGES

- ▶ Compact machine to custom size ejector pins precisely in short time
- ▶ Lower skill level required for sizing operation
- ▶ Integrated cutting and grinding operation
- ▶ Consistent pin grinding quality with 10 microns accuracy
- ▶ Lower mold downtime



## FEATURES

- ▶ Easy to install/setup and low operation time
- ▶ Unique design for ejector pin sizing up to 24 inch length
- ▶ Table top model with compact design
- ▶ Fully covered body ensuring operator safety
- ▶ Rigid and transparent Protective shield to monitor operations
- ▶ Inbuilt setting devices to maintain accuracy in dimension
- ▶ Low maintenance & spare inventory

## TECHNICAL SPECIFICATION

Specification Of Model's	FEBTEC- 0570
Max cut length mm/inch	(400/500/600) / (15.75/19.65/23.65)
Min & Max diameter of pins mm/inch	1~25 / 0.0393~0.9842 diameter
Min & Max length of pins mm/inch	60~600 / 2.3~23.6 length
Parting wheel mm/inch	180x31.8x1 / 7x1.25x.039
Cup grinding wheel mm/inch	100x31.75x50 / 3.9x1.2x2
Cut of precision mm/inch	(Dia 25x300+/- 0.01) / (Dia 1x12+/- 0.39 thou)
Right angle precision mm/inch	(25x90 deg +/-0.01) / (1x90 deg +/- 0.39 thou)
Motor	1 HP
RPM	3600
Size mm/inch (LxWxH)	430x360x500 / 17x14x20
Weight Approx Kg/lbs	95 / 209



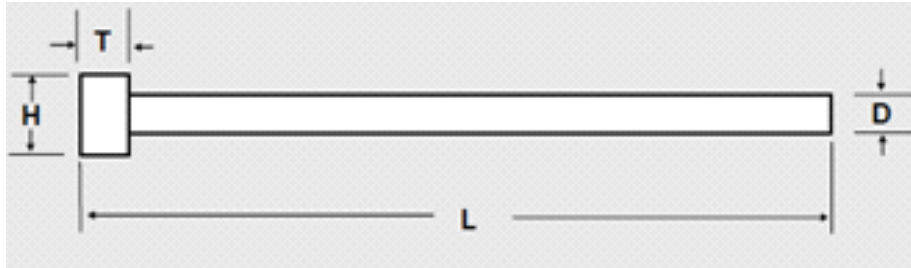
### ADVANTAGES & FEATURES:

- ▶ Contactless use
- ▶ Temperature range 385 to 1600 degree Celsius
- ▶ Compact design
- ▶ Minimize the inventory & cost
- ▶ Maintenance free

The product is suitable for the aluminum foundry application to avoid production & inventory losses, due to contactless application the sensor can be use longer life.

### TECHNICAL SPECIFICATION

Description	Specification
Environmental protection	Ip65
Ambient temperature	-20°C to 125°C
Weight	42g
Sensing range	200-1800 mm
Output	4-20mA
Power supply	5-30V DC



Material Use: HDS H13  
 Hardness: 44-48 HRC  
 Nitride 950HV



Size	DIN Std		JIS Std		NON Std		Available Length
D	H	T	H	T	H	T	
1	2.5	1.2	-	-	-	-	100-200 mm
1.5	3	1.5	-	-	-	-	100-200 mm
2	4	2	-	-	-	-	100-300 mm
2.5	5	2	-	-	-	-	100-300 mm
3	6	3	-	-	-	-	100-300 mm
3.5	7	3	-	-	-	-	100-300 mm
4	8	3	-	-	-	-	100-400 mm
4.5	8	3	-	-	-	-	100-400 mm
5	10	3	9	6	-	-	100-600 mm
6	12	5	10	6	10	10	100-800 mm
8	14	5	13	5	13	10	100-1000 mm
10	16	5	15	8	16	10	100-1000mm
12	18	7	17	8	18	10	100-1000 mm
14	22	7	19	8	22	10	100-1000 mm
16	22	7	21	8	22	10	100-1000 mm
20	26	8	25	8	30	10	100-1000 mm
25	32	10	31	8	32	10	100-1000 mm



Material Use: HDS H13  
 Hardness: 44-48 HRC  
 Nitride 950HV

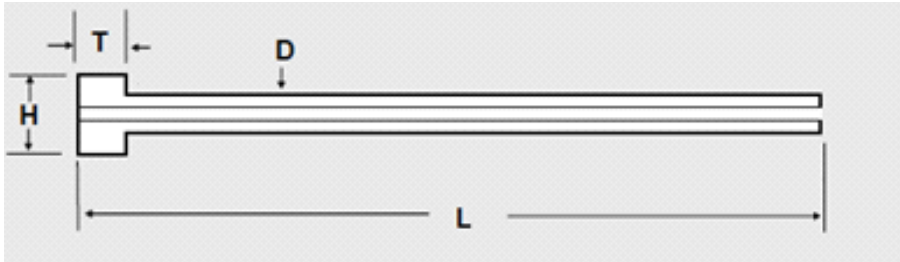
Size		DIN Std		JIS Std		NON Std		Available Length
D	D1	H	T	H	T	H	T	
3	*	6	3	-	-	-	-	100-300 mm
3.5	*	7	3	-	-	-	-	100-300 mm
4	*	8	3	-	-	-	-	100-400 mm
4.5	*	8	3	-	-	-	-	100-400 mm
5	*	10	3	9	6	-	-	100-600 mm
6	*	12	5	10	6	10	10	100-800 mm
8	*	14	5	13	8	13	10	100-1000 mm
10	*	16	5	15	8	16	10	100-1000 mm
12	*	18	7	17	8	18	10	100-1000 mm
14	*	22	7	19	8	22	10	100-1000 mm
16	*	22	7	21	8	22	10	100-1000 mm
20	*	26	8	25	8	30	10	100-1000 mm
25	*	32	10	31	8	32	10	100-1000 mm

\*D1 manufacture according to order

# EJECTOR SLEEVE

**febtech**

Innovative Solutions for Aluminium Foundry



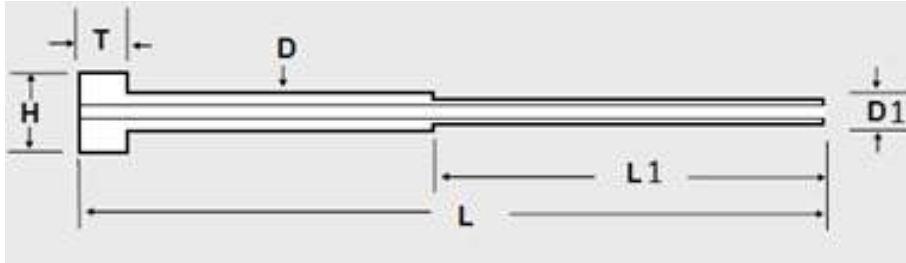
Material Use: HDS H13

Hardness: 44-48 HRC

Nitride 950HV

Size		DIN Std		JIS Std		NON Std		Available Length
D	ID	H	T	H	T	H	T	
4	*	8	3	-	-	-	-	100-200 mm
4.5	*	8	3	-	-	-	-	100-200 mm
5	*	10	3	9	6	-	-	100-200 mm
6	*	12	5	10	6	10	10	100-300 mm
8	*	14	5	13	8	13	10	100-350 mm
10	*	16	5	15	8	16	10	100-500 mm
12	*	18	7	17	8	18	10	100-700 mm
14	*	22	7	19	8	22	10	100-700 mm
16	*	22	7	21	8	22	10	100-700 mm
20	*	26	8	25	8	30	10	100-700 mm
25	*	32	10	31	8	32	10	100-700 mm

\*ID manufacture according to order



Material Use: HDS H13  
 Hardness: 44-48 HRC  
 Nitride 950HV

Size				DIN Std		JIS Std		NON Std		Available Length
D	D1	L1	ID	H	T	H	T	H	T	
4	*	*	*	8	3	-	-	-	-	100-200 mm
4.5	*	*	*	8	3	-	-	-	-	100-200 mm
5	*	*	*	10	3	9	6	-	-	100-200 mm
6	*	*	*	12	5	10	6	10	10	100-300 mm
8	*	*	*	14	5	13	8	13	10	100-350 mm
10	*	*	*	16	5	15	8	16	10	100-500 mm
12	*	*	*	18	7	17	8	18	10	100-700 mm
14	*	*	*	22	7	19	8	22	10	100-700 mm
16	*	*	*	22	7	21	8	22	10	100-700 mm
20	*	*	*	26	8	25	8	30	10	100-700 mm
25	*	*	*	32	10	31	8	32	10	100-700 mm

\*D1 , L1 & ID manufacture according to order

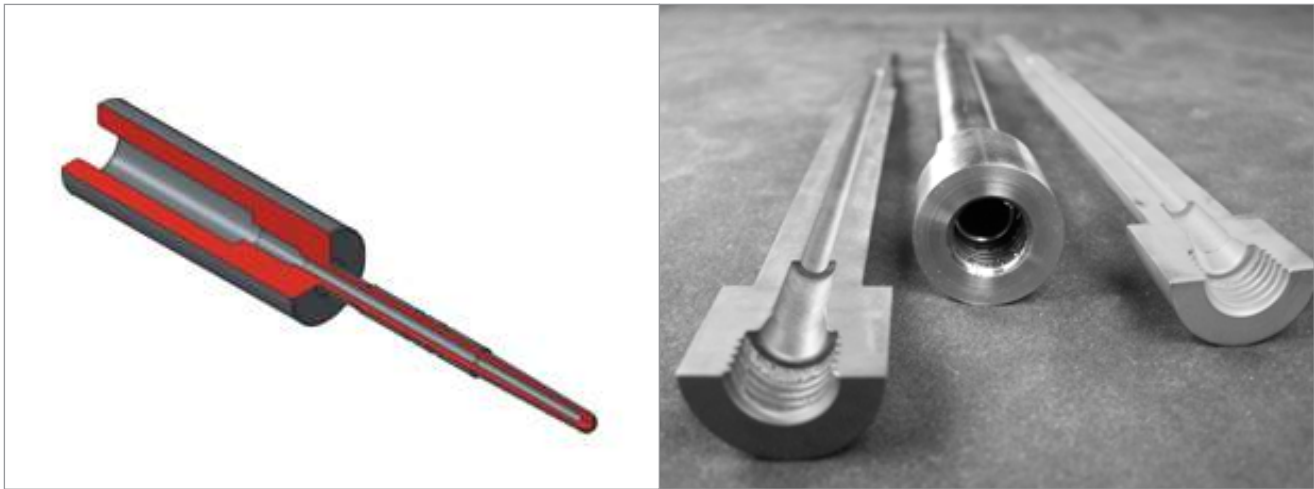




## ADVANTAGES

- ▶ Orver supreme, HDS H13 Material
- ▶ Vacuum heat treatment
- ▶ Plasma nitriding
- ▶ CMM Inspection
- ▶ Laser marking for location

## JET COOL CORE PIN



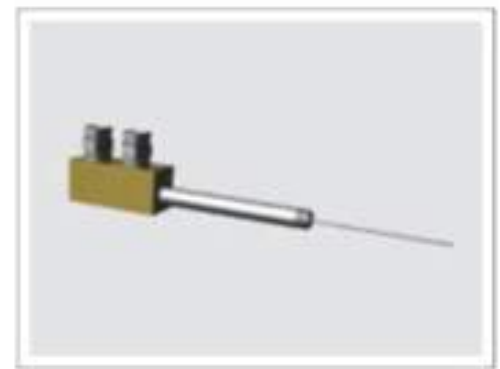
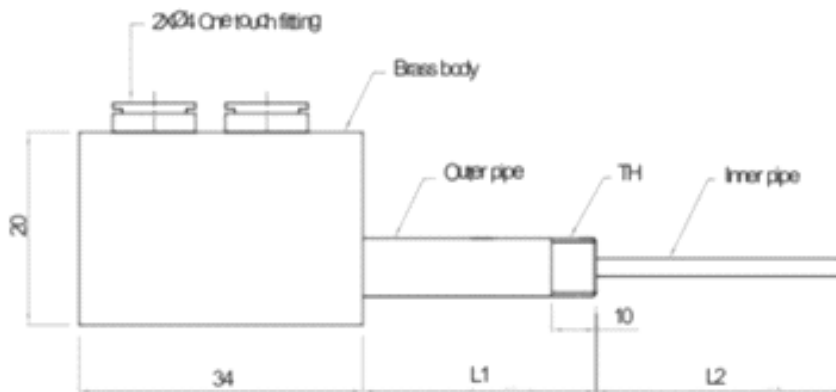


### INTRODUCTION

This is a small diameter cooling tube specially made for jet cool system, The tube can be inserted in a slender core pin which was formerly not possible. It can be used effectively for prevention of soldering, pressure leakage and shrinkage porosity.

- ▶ It can be fitted in a cooling channel of 2mm or larger diameter
- ▶ For installation screw type O ring type and packing type are available
- ▶ Either dia 4 tube coupling or taper pipe threads way may be chosen for tube pull-out.

### CAD SKETCH



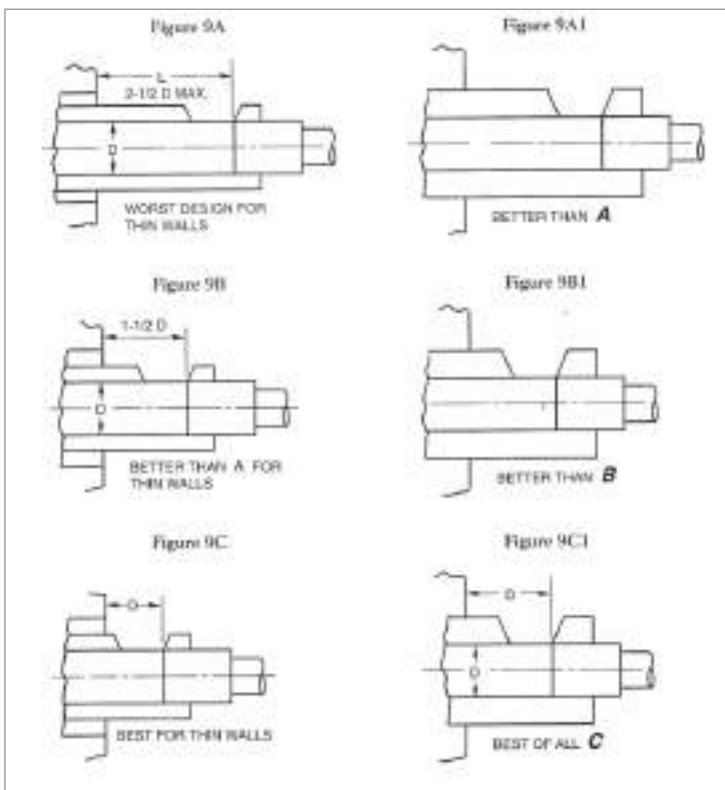
Outer Pipe		Inner Pipe		Outer Pipe Threading	Outer Pipe Length (L1)	Inner Pipe Length (L2)
OD	ID	OD	ID			
4	2	1.2	0.85	M4	50-200	50-200
6	3	1.8	1.35	M6	50-200	50-200
8	4	2.3	1.8	M8 / 1-16	50-200	50-200
10	5	2.8	2.3	M10 / 1/8"	50-200	50-200



## INTRODUCTION

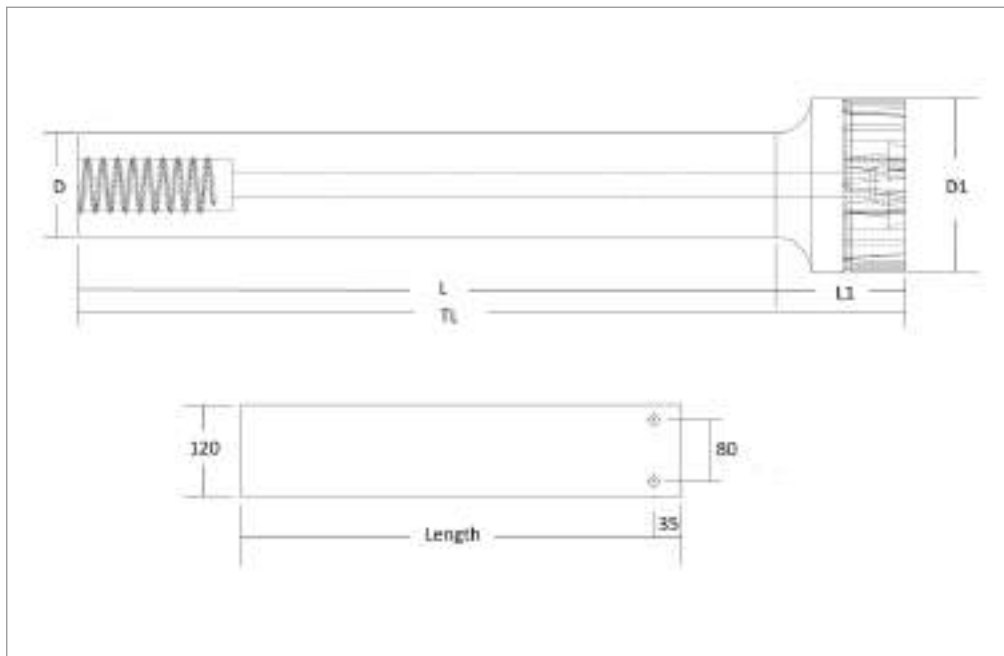
The shot sleeve is a critical element of aluminum die cast process. For maximum productivity, and also maximum operating life for both shot sleeve and plunger p, the plunger must consistently move smoothly, and at a steady speed through a perfectly round, straight, shot sleeve. This does not always happen, however, because when heated, metal expands. If partially filled with hot molten alloy, the shot sleeve will become distorted. Stabilize temperatures to maintain a round and straight shot sleeve, so that plunger p can seal on shot sleeve wall, extending tooling life.

## INSTRUCTION



## FEATURES

- ▶ Bohler raw material
- ▶ Vacuum heat treatment
- ▶ Honing finish
- ▶ Plasma Nitriding
- ▶ Shot life above 1 lakh



### ADVANTAGES & FEATURES

- ▶ Six vane rotor reduce bubble size
- ▶ Wear resistance
- ▶ Minimize shaft run out
- ▶ Long service life

### TECHNICAL SPECIFICATION

Specification Of Model's Model		Two Piece Rotor Shaft Model				Baffle Plate Model	
		Rotor		Shaft			
DG130600		FT130		FT65600		BF5130500	
D1	TL	D1	L1	D	L	Thickness	Length
130mm	700mm	130mm	90mm	65mm	600mm	25mm	500mm
DG150900		FT150		FT75800		BF25130550	
D1	TL	D1	L1	D	L	Thickness	Length
150mm	900mm	150mm	90mm	75mm	800mm	25mm	550mm
DG180900		FT175		FT90800		BF25130650	
D1	TL	D1	L1	D	L	Thickness	Length
170mm	900mm	170mm	90mm	90mm	800mm	25mm	650mm

## MANUFACTURE LADLE CAP FOR VARIOUS MACHINES:

- |                 |                |
|-----------------|----------------|
| 1) Zutau        | 6) TBC Machine |
| 2) Toshiba      | 7) Yizumi      |
| 3) UBE          | 8) Buhler      |
| 4) LK Machinery | 9) Yota        |
| 5) HMT          | 10) Ital press |

Also manufacture as per customer's requirement



DOSING PUMP



DIE CASTING RELEASE AGENT



METAL REFINING FLUX



THERMOCOUPLE & PROTECTION TUBE



PLUNGER TIP



K- MOULD



STEEL BAND STRIP



SPRAY HEADER



SPRAY COPPER TUBE



AUTO SPRAY ARM



AUTO LADLE MOTOR



AUTO LADLE MOTOR



**PLUNGER ROD & CONNECTOR**



**MOULD WATER FLOW METER**



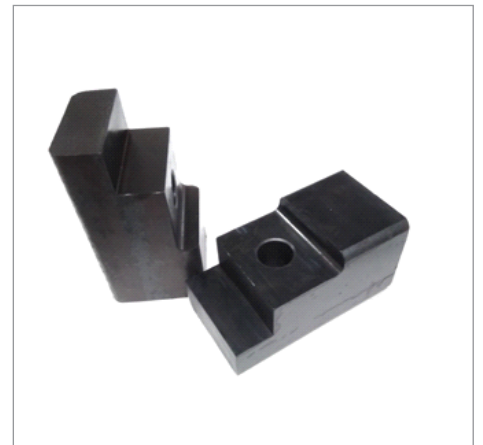
**COPPER GREASE**



**LADLE COATING**



**MOULD CLAMP**



**DIE CLAMP**



**SS SKIMMER MANUAL LADLE**



**CLAMPING T BOLT, FLANGE NUT**



**EYE BOLT'S**

## GLOBAL PRESENCE



📍 L-34 & 35, MIDC Waluj, Aurangabad - 431136, Maharashtra, INDIA

☎ +91 240 2555513 | 📠 +91 9373555514 / +91 9373555515

✉ sales@febtech.co.in / febtech2007@gmail.com

🌐 [www.febtech.co.in](http://www.febtech.co.in)